



Type 0340 can be combined with...



Type 2508

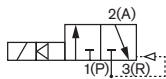
Cable plug

3/2-way solenoid valve for gases and fluids

- Service friendly manual override
- Analytical pilot valve for increased safety
- Optimized piston design for low switching pressure
- Energy saving impulse coil
- Explosion proof types

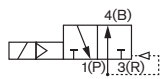
The pilot-controlled 3/2-way solenoid valve Type 0340 with smoothly operating servopiston requires a differential pressure of 0.5 bar for complete opening and closing. A 3/2-way pilot valve (pivoted armature valve) ensures safe and reliable operation.

Circuit function C



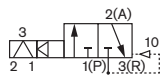
3/2-way valve, when de-energized outlet port A exhausted, with 3-way pilot control

Circuit function D



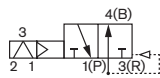
3/2-way valve, when de-energized outlet port B pressurized, with 3-way pilot control

Circuit function C (Impulse)



3/2-way valve, when de-energized outlet port A exhausted, with 3-way pilot control

Circuit function D (Impulse)



3/2-way valve, when de-energized outlet port B pressurized, with 3-way pilot control

| Technical data | |
|------------------------------|--|
| Orifice | DN 8 - 40 mm |
| Body material | Brass |
| Seal material | NBR |
| Medium | Neutral medium: Compressed air, water, hydraulic oil |
| Medium temperature | 0 to +90 °C |
| Ambient temperature | Max. +55 °C |
| Viscosity | Max. 21 mm ² /s |
| Voltage tolerance | ±10% |
| Duty cycle | Continuous operation 100% ED |
| Electrical connection | Cable plug for Ø 7 mm cable (included in delivery) Ex-Version only with terminal box or 3 m cable |
| Protection class | IP65 with Cable Plug or terminal box |
| Installation | As required, preferably with actuator upright |

| | |
|--|--|
| Flow rate Kv value water [m ³ /h] | measured at +20 °C, 1 bar pressure at valve inlet and free outlet (see ordering chart) |
| Pressure values [bar] | Overpressure to the atmospheric pressure (see ordering chart) |
| Response times [ms]: Opening Closing | Measured at valve outlet at 6 bar and +20 °C Pressure rise 0 to 90%, Pressure drop 100 to 10% (see ordering chart) |

Technical data

Standard version

| Orifice [mm] | Kv value water PDA [m³/h] | Port connection A/B and P | | Pressure range [bar] | Electr. power consumption | | | | Response times | | Weight [kg] |
|--------------|---------------------------|---------------------------|-------|----------------------|---------------------------|--------|----------------|--------|----------------|--------------|-------------|
| | | G | NPT | | Inrush AC [VA] | DC [W] | [VA] AC [VA/W] | DC [W] | Opening [ms] | Closing [ms] | |
| 8 | 0,95 | 1/4 | 1/4 | 0,5 - 16 | 30 | 8 | 15/8 | 8 | 25 | 25 | 1,0 |
| 12 | 2,30 | 3/8 | 3/8 | | | | | | 30 | 30 | 1,2 |
| 12 | 2,60 | 1/2 | 1/2 | | | | | | 30 | 30 | 1,2 |
| 20 | 6,60 | 3/4 | 3/4 | | | | | | 40 | 40 | 2,2 |
| 40 | 24,00 | 1 1/2 | 1 1/2 | | | | | | 120 | 120 | 6,8 |

Impulse version

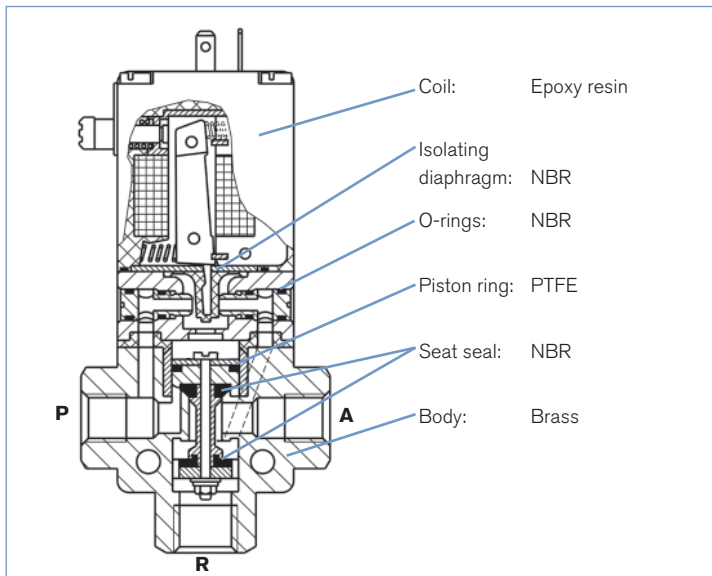
| Orifice [mm] | Kv value water PDA [m³/h] | Port connection A/B and P | | Pressure range [bar] | Electr. power consumption | | Response times | | Weight [kg] |
|--------------|---------------------------|---------------------------|-------|----------------------|---------------------------|--------|----------------|--------------|-------------|
| | | G | NPT | | Inrush AC [VA] | DC [W] | Opening [ms] | Closing [ms] | |
| 8 | 0,95 | 1/4 | 1/4 | 0,5 - 16 | 11 | 11 | 25 | 25 | 1,0 |
| 12 | 2,30 | 3/8 | 3/8 | | | | 30 | 30 | 1,2 |
| 12 | 2,60 | 1/2 | 1/2 | | | | 30 | 30 | 1,2 |
| 20 | 6,60 | 3/4 | 3/4 | | | | 40 | 40 | 2,2 |
| 40 | 24,00 | 1 1/2 | 1 1/2 | | | | 120 | 120 | 6,8 |

Explosion proofed version with temperature class T5

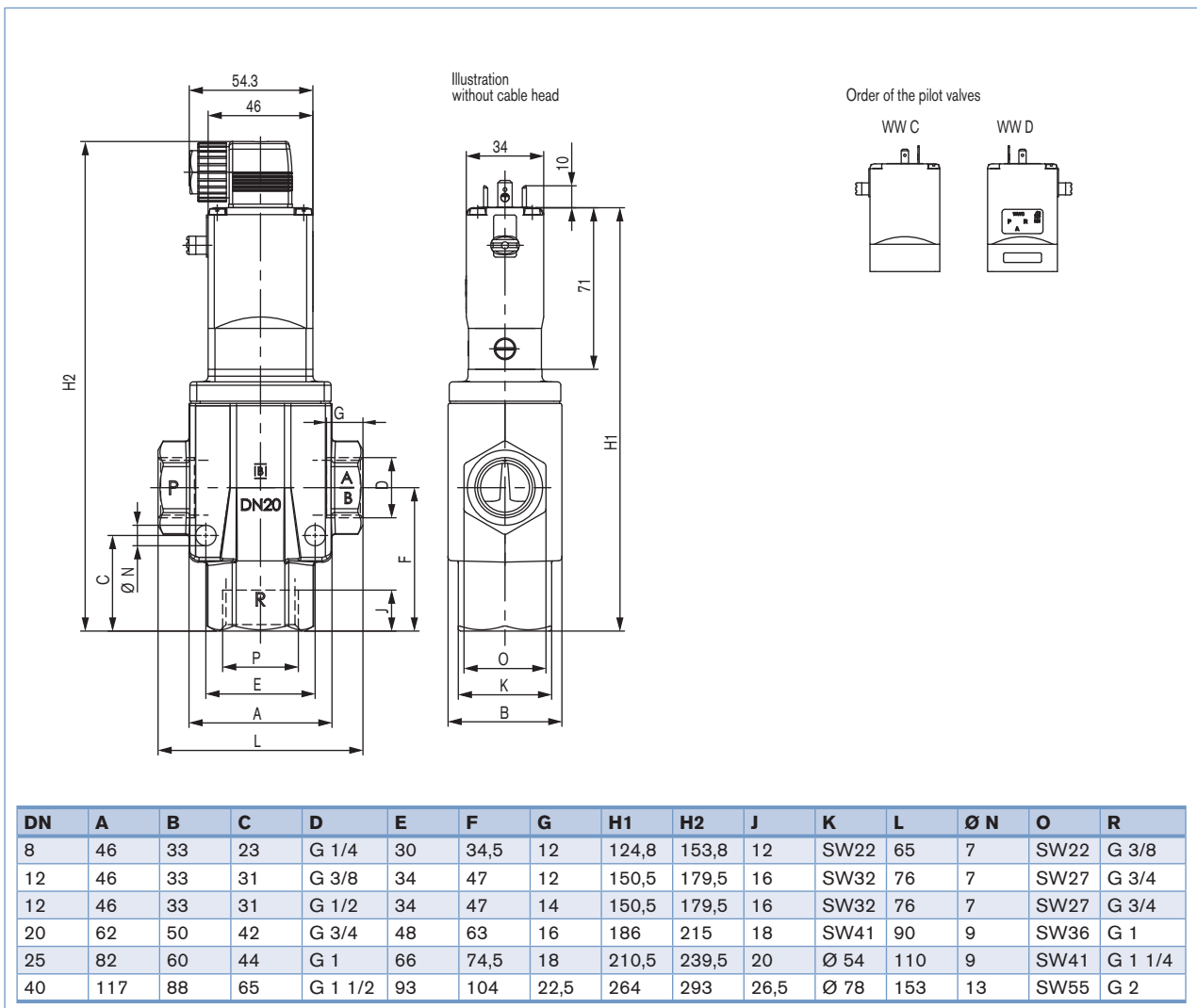
| Orifice [mm] | Kv value water PDA [m³/h] | Port connection A/B and P | | Pressure range [bar] | Electr. power consumption | | Response times | | Weight [kg] |
|--------------|---------------------------|---------------------------|-----|----------------------|---------------------------|----------------|----------------|--------------|-------------|
| | | G | NPT | | Inrush AC [VA] | [VA] AC [VA/W] | Opening [ms] | Closing [ms] | |
| 8 | 0,95 | 1/4 | 1/4 | 0,5 - 16 | 40 | 3 | 25 | 25 | 1,0 |
| 12 | 2,30 | 3/8 | 3/8 | | | | 30 | 30 | 1,2 |
| 12 | 2,60 | 1/2 | 1/2 | | | | 30 | 30 | 1,2 |
| 20 | 6,60 | 3/4 | 3/4 | | | | 40 | 40 | 2,2 |
| 25 | 10,00 | 1 | 1 | 0,5 - 10 | | | 70 | 70 | 2,7 |

The orifice size of connection R is larger than the ports A / B and P (see table of dimensions). Thus, the AR flow rate increases by a factor of 1.5 to 2 in the table value.

Material

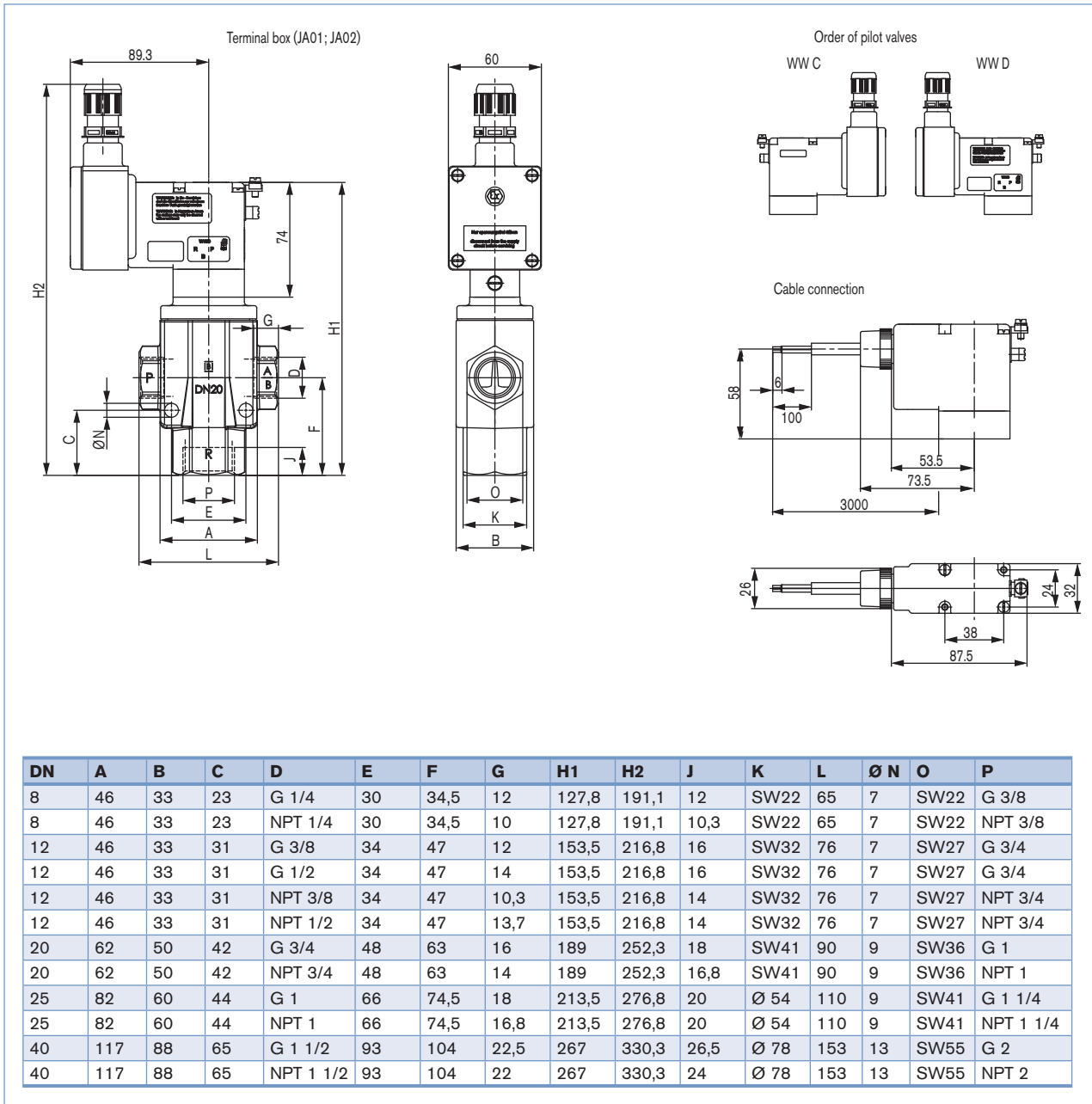


Dimensions [mm] - Standard version



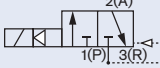
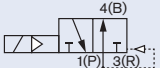
The diagram shows the valve with circuit function C with the terminals P, R and A / B. (see drawing). In circuit function D the manual operation is above port A / B.

Dimensions [mm] - Explosion proof version



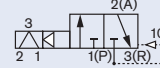
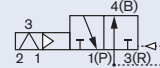
Ordering charts standard version (other versions on request)

All valves with manual override, brass body, NBR seal and cable plug

| Circuit functions | Orifice [mm] | Port connection G or NPT | Kv value water P→A [m³/h] | Pressure range [bar] | Voltage/Frequency [V/Hz] | Item no. G | Item no. NPT |
|---|--------------|--------------------------|---------------------------|----------------------|--------------------------|------------|--------------|
| C A 3/2-way valve NC  | 8,0 | 1/4 | 0,95 | 0,5 - 16 | 012/DC | 042 506 | x |
| | | | | | 024/DC | 041 317 | x |
| | | | | | 024/50 | 041 318 | x |
| | | | | | 110/50 | 041 325 | x |
| | | | | | 230/50 | 041 329 | x |
| | | | | | 024/50 | 041 351 | x |
| | 12 | 3/8 | 2,3 | 0,5 - 16 | 230/50 | 041 353 | x |
| | | | | | 024/DC | 041 333 | x |
| | | | | | 024/50 | 041 334 | 151 477 |
| | | | | | 110/50 | 041 340 | x |
| | | | | | 230/50 | 041 346 | x |
| | | | | | 240/50 | 042 277 | x |
| | 20 | 3/4 | 6,6 | 0,5 - 16 | 024/DC | 041 354 | x |
| | | | | | 024/50 | 041 665 | x |
| | | | | | 110/50 | 041 359 | 125 822 |
| | | | | | 230/50 | 041 361 | x |
| 024/DC | | | | | 041 537 | x | |
| 110/50 | | | | | 042 864 | 120 389 | |
| 25 | 1 | 10,0 | 0,5 - 10 | 230/50 | 041 364 | x | |
| | | | | 024/DC | 042 319 | x | |
| | | | | 230/50 | 041 366 | x | |
| | | | | 024/DC | 042 319 | x | |
| | | | | 230/50 | 041 366 | x | |
| | | | | 024/DC | 042 319 | x | |
| D 3/2-way valve NO  | 8,0 | 1/4 | 0,95 | 0,5 - 16 | 024/DC | 041 367 | x |
| | | | | | 024/50 | 041 368 | x |
| | | | | | 230/50 | 041 371 | x |
| | | | | | 230/50 | 041 386 | x |
| | | | | | 024/DC | 041 374 | x |
| | | | | | 024/50 | 041 375 | x |
| | 12 | 3/8 | 2,3 | 0,5 - 16 | 230/50 | 041 380 | x |
| | | | | | 024/DC | x | x |
| | | | | | 024/50 | x | x |
| | | | | | 110/50 | x | x |
| | | | | | 230/50 | x | x |
| | | | | | 024/DC | x | x |
| 20 | 3/4 | 6,6 | 0,5 - 16 | 024/DC | x | x | |
| | | | | 024/50 | x | x | |
| | | | | 110/50 | x | x | |
| | | | | 230/50 | x | x | |
| | | | | 024/DC | x | x | |
| | | | | 110/50 | x | x | |
| 25 | 1 | 10,0 | 0,5 - 10 | 024/DC | x | x | |
| | | | | 110/50 | x | x | |
| | | | | 230/50 | x | x | |
| | | | | 024/DC | x | x | |
| | | | | 110/50 | x | x | |
| | | | | 230/50 | x | x | |
| 40 | 1 1/2 | 24,0 | 0,5 - 10 | 024/DC | x | x | |
| | | | | 230/50 | x | x | |

Ordering charts - impulse version (other versions on request)

All valves with manual override, brass body, NBR seal and cable plug

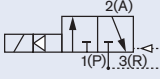
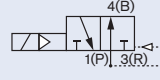
| Circuit functions | Orifice [mm] | Port connection G or NPT | Kv value water P→A [m³/h] | Pressure range [bar] | Voltage/Frequency [V/Hz] ¹⁾ | Item no. G | Item no. NPT |
|---|--------------|--------------------------|---------------------------|----------------------|--|------------|--------------|
| C 3/2-way valve NC  | 8,0 | 1/4 | 0,95 | 0,5 - 16 | 024/DC | 042 016 | x |
| | 12 | 1/2 | 2,6 | 0,5 - 16 | 024/DC | 044 216 | x |
| | 20 | 3/4 | 6,6 | 0,5 - 10 | 024/DC | x | x |
| | 40 | 1 1/2 | 24,0 | 0,5 - 10 | 024/DC | x | x |
| D 3/2 way valve, NO  | 8,0 | 1/4 | 0,95 | 0,5 - 16 | 024/DC | 122 805 | x |
| | 12 | 1/2 | 2,6 | 0,5 - 16 | 024/DC | 043 429 | x |
| | 20 | 3/4 | 6,6 | 0,5 - 10 | 024/DC | x | x |
| | 40 | 1 1/2 | 24,0 | 0,5 - 10 | 024/DC | x | x |

¹⁾ Further voltages on request

x Article variant available, order number upon request

Ordering charts - explosion proofed versions (other versions on request)

All valves with manual actuation, brass body, NBR seals and cable outlet 3 m ¹⁾

| Circuit functions | Orifice [mm] | Port connection G or NPT | Kv value water P→A [m ³ /h] | Pressure range [bar] | Voltage/Frequency [V/Hz] UC | Item no. G | Item no. NPT |
|--|--------------|--------------------------|--|----------------------|-----------------------------|------------|--------------|
| C A 3/2-way valve NC  | 8,0 | 1/4 | 0,95 | 0,5 - 16 | 24/DC | x | x |
| | | | | | 110-120/60 | x | x |
| | | | | | 220-240/50 | x | x |
| | 12 | 3/8 | 2,3 | 0,5 - 16 | 24/DC | x | x |
| | | | | | 110-120/60 | x | x |
| | | | | | 220-240/50 | x | x |
| | | | | | 24/DC | x | x |
| | | | | | 110-120/60 | x | x |
| | | | | | 220-240/50 | x | x |
| | 20 | 3/4 | 6,6 | 0,5 - 16 | 24/DC | x | x |
| | | | | | 110-120/60 | x | x |
| | | | | | 220-240/50 | x | x |
| 25 | 1 | 10,0 | 0,5 - 10 | 24/DC | x | x | |
| | | | | 110-120/60 | x | x | |
| | | | | 220-240/50 | x | x | |
| D 3/2-way valve NO  | 8,0 | 1/4 | 0,95 | 0,5 - 16 | 24/DC | x | x |
| | | | | | 110-120/60 | x | x |
| | | | | | 220-240/50 | x | x |
| | 12 | 1/2 | 2,6 | 0,5 - 16 | 24/DC | x | x |
| | | | | | 110-120/60 | x | x |
| | | | | | 220-240/50 | x | x |
| | 20 | 3/4 | 6,6 | 0,5 - 16 | 24/DC | x | x |
| | | | | | 110-120/60 | x | x |
| | | | | | 220-240/50 | x | x |
| | 25 | 1 | 10,0 | 0,5 - 10 | 24/DC | x | x |
| | | | | | 110-120/60 | x | x |
| | | | | | 220-240/50 | x | x |

¹⁾ Terminal connection version also available

x Article variant available, order number upon request

To find your nearest Bürkert facility, click on the orange box → www.burkert.com

In case of special application conditions, please consult for advice.

Subject to alterations
© Christian Bürkert GmbH & Co. KG

1402/4_EU-en_00891626